

DVM3-96

Digital Threephase Voltmeter

General Description

The DVM3 meter is designed to monitor LN and LL voltage of 3P4W network at the same time. It helps to check three phases voltage failures such as over, under voltage and unbalance voltage between phases without using a selection switch.

Measurement

Measuring Range	
L - N	5 ~ 300V AC
L - L	5 ~ 500V AC

* If the phase sequence is correct, L1, L2, L3 will be written from top to bottom in the display.

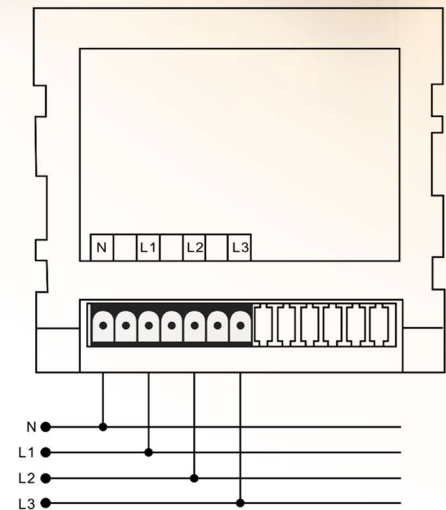
* If the phase sequence is reversed, L1, L3, L2 will be written from top to bottom in the display.

Specifications

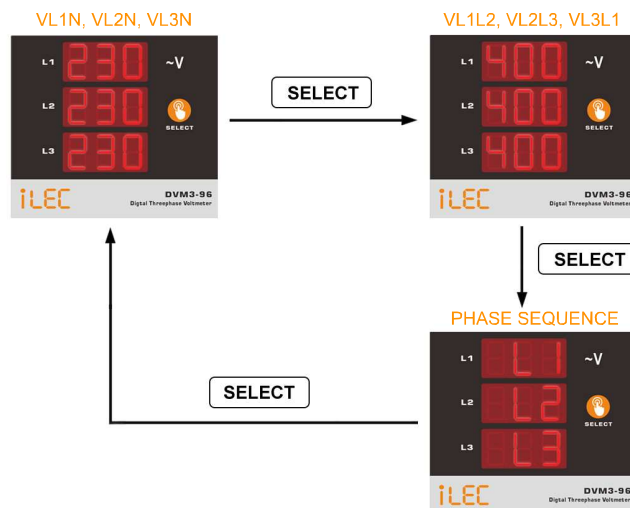
Operating Voltage(Un)	150V ~ 270V AC or 110VAC
Operating Frequency	50/60Hz.
Operating Power	<4VA
Operating Temperature	0°C ~ 55°C
Meas. Range(L-N)	1 ~ 300V AC
Meas. Range(L-L)	5 ~ 500V AC
Measurement Precision	±%1
Display	3x3 digit 14mm
Connection Type	Plug-in Terminal
Cable Diameter	1.5mm ²
Weight	<300gr.
Panel Hole Sizes	91mm x 91mm
Mounting Front panel	Panel mounted.
Operating Altitude	<2000 meter



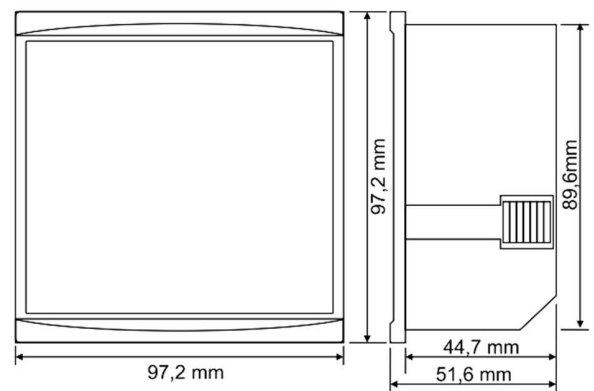
Connection diagram



Display selection



Dimension



DAM3-96

Digital Threephase Ammeter

General Description

The DAM3 meter is designed to monitor three phase currents of 3P network at the same time. It helps to check three phase current status and find unbalance currents between phases.

Measurement

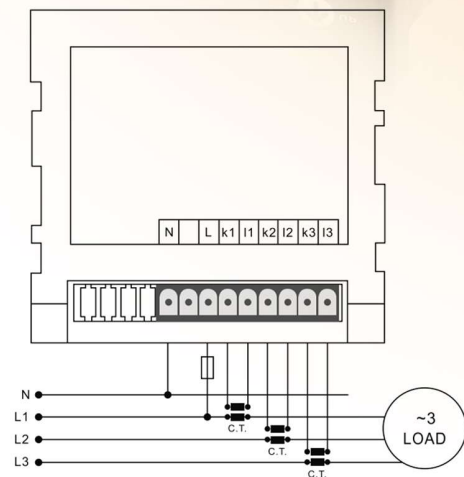
Measuring Range	
Current Meas. Range	100mA ~ 5.5A AC; 10/5A ~ 9995/5A (... x5)

Specifications

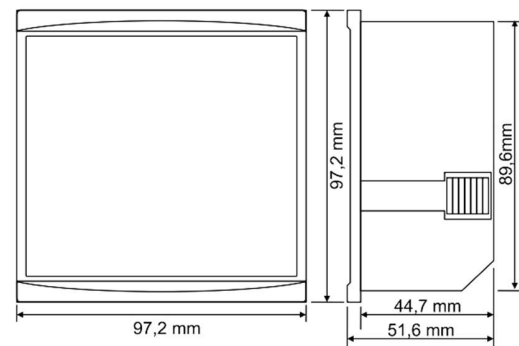
Operating Voltage(Un)	150V ~ 270V AC or 110VAC
Operating Frequency	50/60Hz.
Operating Power	<6VA
Operating Temperature	-20°C ~ 55°C
Current Meas. Range	100mA ~ 5.5A AC
Current Transformer	5/5A ~ 9995/5A (...x5)
Measurement Precision	±%1
Display	3x4 digit 14mm display
Connection Type	Plug-in Terminal
Cable Diameter	1.5mm ²
Weight	<220gr.
Panel Hole Sizes	91mm x 91mm
Mounting	Front panel mounted.
Operating Altitude	<2000 meter



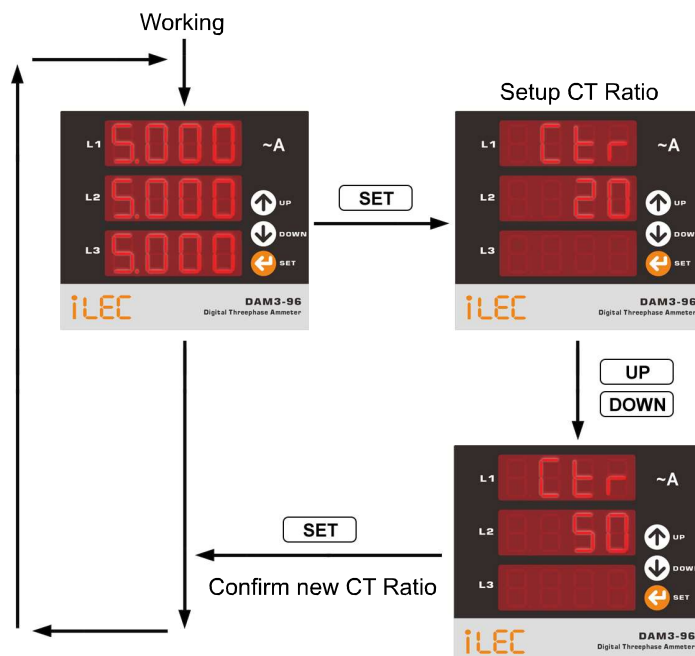
Connection diagram



Dimension



Setup CT Ratio



50 for 50/5A



DAVF-96

Digital Amp-Volt-Hz meter

General Description

The DAVF meter is designed to monitor voltage, current and frequency of a single phase power supply the same time. It will be useful for monitoring working condition of a power supply, a generator or a three-phase electric motor

Measurement

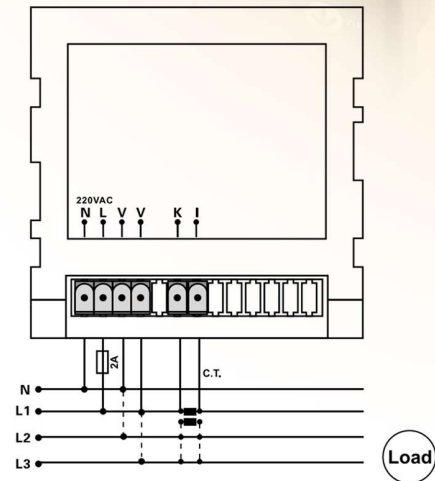
Measuring Range	
Current Meas. Range	100mA ~ 5.5A AC 5/5A ~ 9995/5A (... x5)
Voltage Meas. Range	10 ~ 500V AC
Frequency Meas. Range	1 ~ 400Hz

Specifications

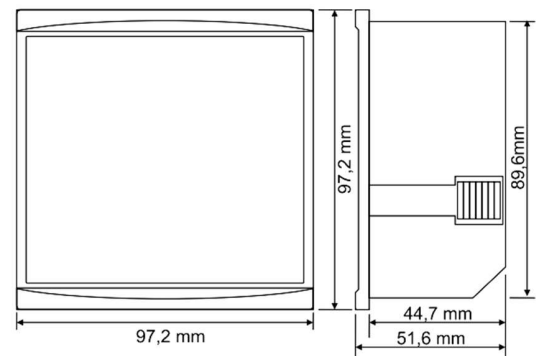
Operating Voltage(Un)	150V ~ 270V AC or 110VAC
Operating Frequency	50/60Hz.
Operating Power	<6VA
Operating Temperature	-20°C ~ 55°C
Current Meas. Range	100mA ~ 5.5A AC
Current Transformer	5/5A ~ 9995/5A (...x5)
Measurement Precision	±%1
Voltage Measurement Range	10V ~ 500V AC
Display	3x4 digit 14mm display
Connection Type	Plug-in Terminal
Cable Diameter	1.5mm ²
Weight	<220gr.
Panel Hole Sizes	91mm x 91mm
Mounting	Front panel mounted.
Operating Altitude	<2000 meter



Connection diagram



Dimension



Setup CT Ratio

